

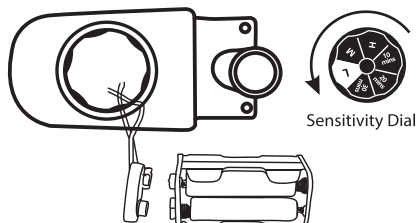
Garden Sniper

Motion activated animal deterrent

Assembly Instructions

1. Connect battery case and battery Line

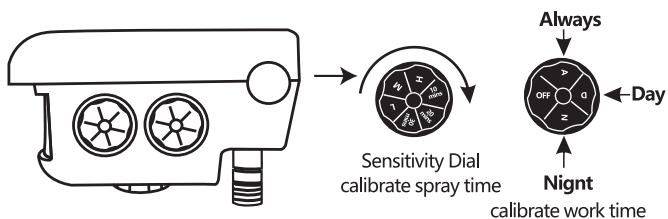
Open the battery cover (located under the sensor housing), then connect battery case and battery line as show. The Sensitivity Dial should be on "L"



2. Test the sensor (dry test)

Turn the sensitivity dial to "M" and wave your hand in front of the sensor lens. You should easily hear the internal water valve click open, then click closed 3 seconds later.

If this does not work, try a new battery or connect the Garden Sniper to water. There is an 8 second reset interval after the valve closes when the sensor does not detect motion.



3. Assemble Garden Sniper as shown

Follow the diagram on the right to assemble the six (6) different parts. These fittings should only be hand tightened. No tools are required.

4. Connect hose and position

Connect your hose to the Hose Attachment, and aim the Sensor Lens towards the area you want to protect.

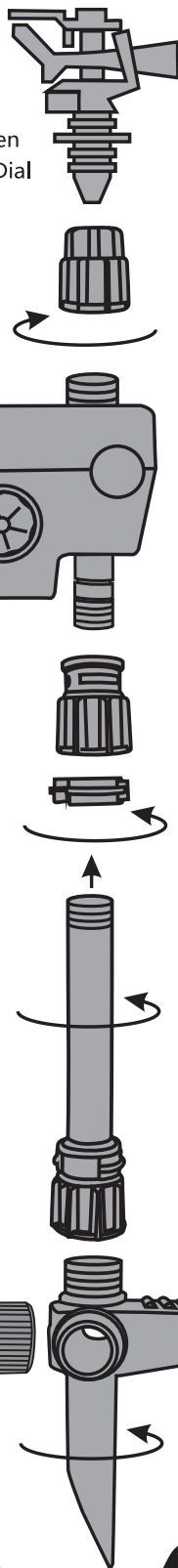
5. Adjust the settings to suit

See overleaf for instructions on how to calibrate the spray distance, angle and sensitivity spray time and work time.

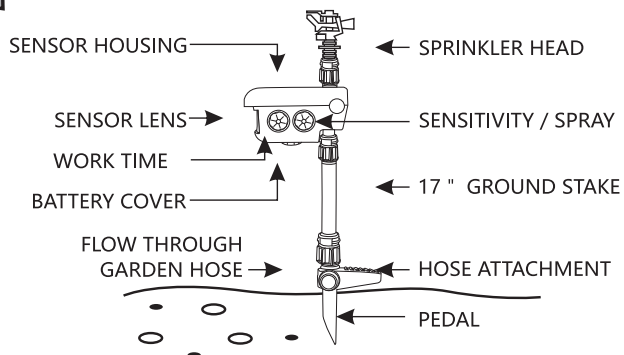
ADJUSTABLE

UP TO
300°
SPRAY

UP TO
10m
DISTANCE



Package Contents



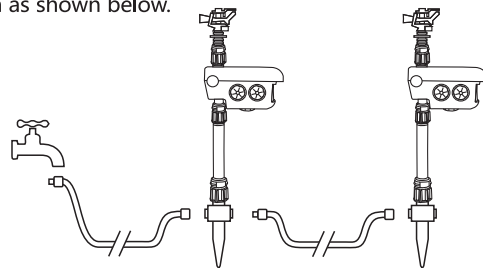
Sticker Sheet (optional)

As an extra deterrent, some pests are scared away by predator faces. Apply the beak and eyes stickers to the Sensor housing.



Multiple Connections

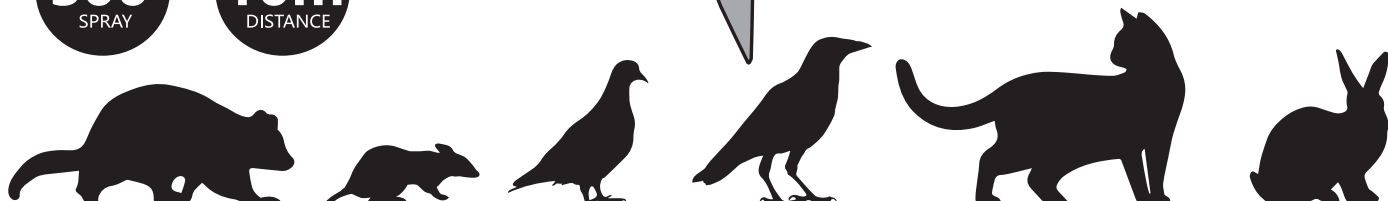
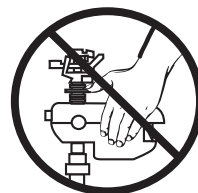
If you have more than one Garden Sniper you can hook them up in series by removing the flow through cap and connecting them as shown below.



! Fragile Warning

Do not push down on the sensor housing or sprinkler head.

If the ground is too hard or unsuitable for the plastic stake, try placing the Garden Sniper in a flower pot filled with a weighted material like sand or gravel.



Adjust Sensitivity

You can calibrate the sensitivity of the Garden Sniper without turning on the water, as long as you can hear the activation click from 10 metres away. To calibrate the Garden Sniper in a noisy area please turn the water on and simply point the water spray to one side to avoid getting wet.

1. Turn the sensitivity dial on

Set the Sensitivity Dial high enough to see the target animal when it is within reach of the 10 metre water spray, but not beyond that point. Higher settings for smaller animals, and lower settings when the animal is closer.

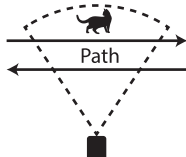
	Distance	Animal Size
L	1-3m	big
M	3-6m	big/medium
H	6-10m	all size



Sensitivity Dial

2. Select the coverage area

The Garden Sniper is most sensitive to movement across the field of view. Motion towards or away from the sensor may not always trigger the unit.



3. Test and adjust the sensitivity

Test the boundaries of the desired detection area by making small movements in front of the Sensor Lens. Begin outside of the coverage area and slowly move closer until you are detected. After the 3 second pulse of water, there is an 8 second pause while the Garden Sniper resets itself. Make minor adjustments until you are happy with the level of sensitivity.

Adjust the Auto-Spray Time

There are 3 choices: 10, 20 or 30 minutes. After you set it, it will stop as the turntable shows. Please test it first, then it will not waste water.

10 minutes	auto spray 10 minutes
20 minutes	auto spray 20 minutes
30 minutes	auto spray 30 minutes

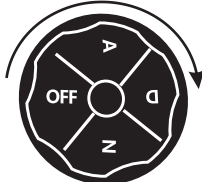


Sensitivity Dial calibrate spray time

Adjust the work time

You can test at day and night and find which time your garden needs this Garden Sniper.

D	Works at day
N	Works at night
A	Works at day and night
OFF	Stop work



How the Garden Sniper works

The Garden Sniper protects any open area of the garden or yard that receives the unwanted attention of animals. Its sprinkler directs water accurately up to 10m, protecting a 90 square metre area. The Garden Sniper can see large animals farther away than it can small animals. It uses a passive Infrared sensor to see the temperature difference between an animal and its surroundings. However, if the animal and the background are similar temperatures the Garden Sniper will have difficulty detecting movement- such as on warm pavement.

Built-in smart detection

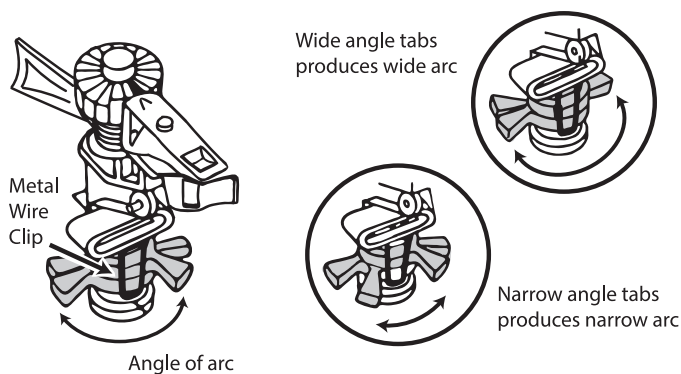
Nuisance or false triggering shortens battery life. When this happens the Garden Sniper will automatically reduce its sensitivity within five minutes (except for a 1 hour period when the battery is first connected or sensitivity dial is adjusted). To minimise false triggering, avoid pointing at moving objects, windy areas or very large areas.

Adjusting Water Coverage

After you have set the Garden Sniper's sensitivity and positioned it securely with its lens aimed at the desired area, use this section to help you adjust the arc and distance of the Garden Sniper's water spray. Make sure the water is turned OFF, then follow the steps below.

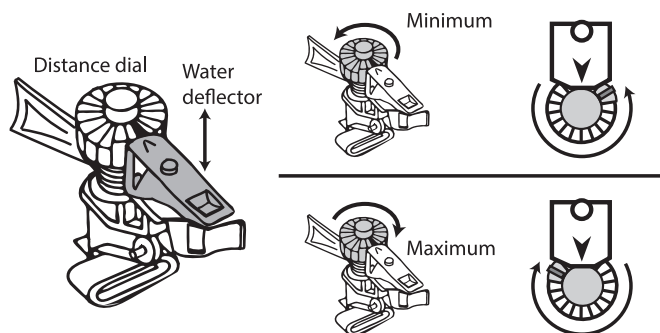
1. Position stem tabs to adjust sprinkler angle

Position the Stem Tabs so the Metal Wire Clip travels between these tabs and faces the area to be sprayed. Stem Tabs determine the arc range of the Garden Sniper from 0 to 300 degrees.



2. Adjust the distance of water spray

Raise and lower the Water Deflector and turn the Distance Dial to control the distance of the water spray.



3. Turn the water ON and test from behind

The Garden Sniper should activate. Test the water arc and distance and adjust to suit your needs.

Cautionary Reminder



Malfunctioning sprinklers carry an inherent risk of causing water damage to your property. Mitigate your risks by limiting the amount of water available to the product (open valve 3/4 turn), employing good quality hoses and ensuring there is adequate drainage in the area. Intended to operate between 30 and 80 psi (2 - 5.5 Bar). Install a pressure-reducing valve on tap if your water pressure exceeds 80 psi (5.5 bar). Partially opening your tap does NOT change the water pressure.