

MANUAL English • Nederlands • Deutsch • Français

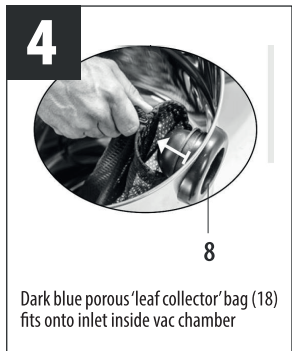
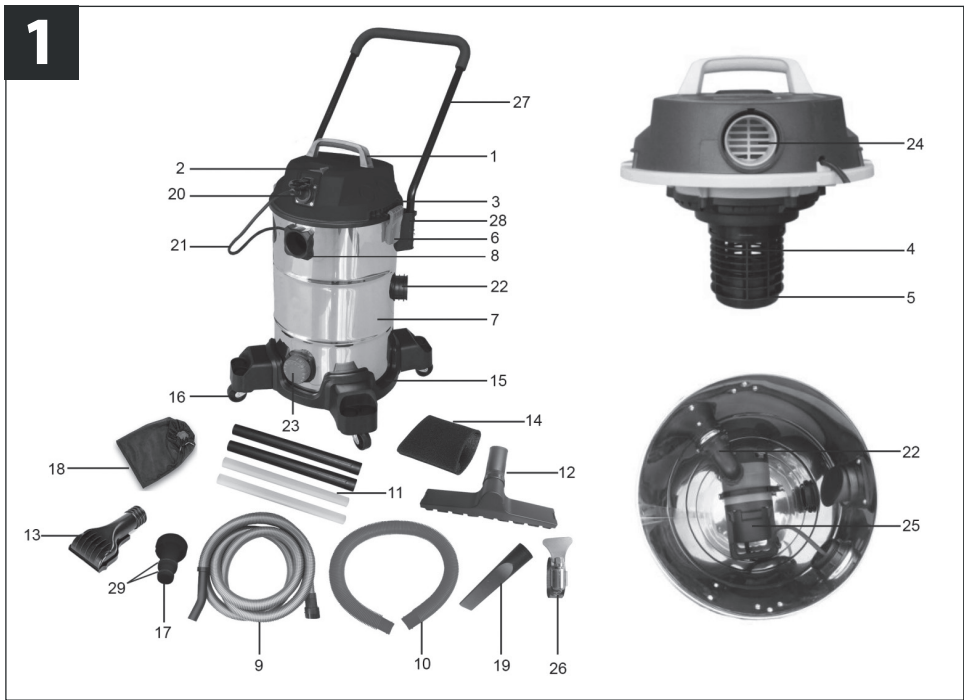
AQUAFORTE POND VACUUM CLEANER PRO

WITH PUMP

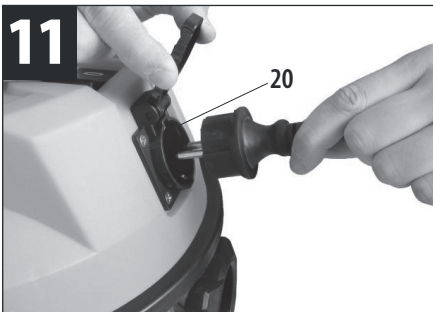
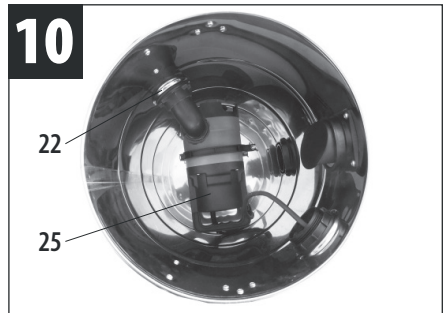
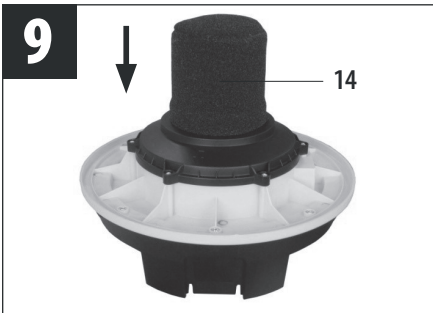
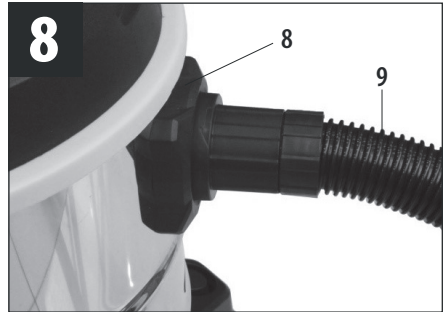
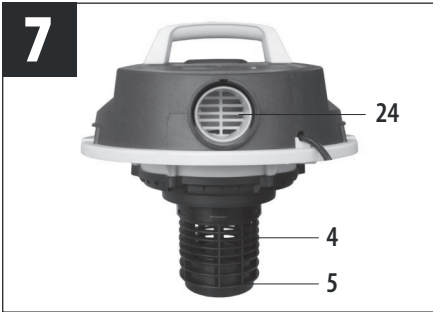
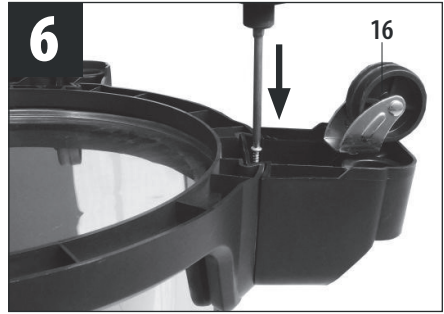


This Manual Contains Important Information Regarding: SAFETY, ASSEMBLY, OPERATION, MAINTENANCE and WARRANTY POLICY. Please read and keep this book safe.

1



AquaForte is a trademark of Sibo Fluidra Netherlands BV, Doornhoek 3950, 5465TC, Veghel
 Email: info@aqua-forte.nl Website: www.aqua-forte.nl/en



1	Handle
2	ON/OFF switch
3	Motor head. 1200 watts, rated voltage: 230V~50Hz, cable length 4m
4	Filter cage
5	Safety float valve
6	Lid Locking clips
7	Main body collection tank, 35 liter capacity
8	Suction hose plug-in connector entry hole
9	Suction hose. Ø 35mm /4.0 m long
10	Discharge hose. Ø 38mm /1.2 m long
11	Suction tube extensions (4 pieces), each 48.5cm long, 2 pieces are transparent
12	Universal nozzle for ponds & liquids
13	Pond cleaning nozzle for general use (2-10mm) removes mud without taking in gravel.
14	Filter sponge for motor protection
15	Wheels base
16	Wheels (4 pcs) + screws (4 pcs)
17	32/38mm waste hose connector 1pc
18	Dark blue dirt collecting bag to attach to hose inlet (inside chamber to catch leaves)
19	Crevice nozzle specially designed for cleaning gaps and edges
20	Socket for waste pump
21	Pump cable
22	Pump discharge connection
23	Drain cap
24	Blow connector
25	Pump max flow 11500L/H, 600W, Max head 7m
26	Hose clamp 27-51mm 1pc
27	Push bar
28	Push bar mount
29	O ring 2 pcs

Thank you for purchasing this pond vacuum cleaner, a high-quality product based on the newest state-of-the-art technology. The vacuum cleaner is suitable for use in garden ponds, but can also be used to empty large amounts of water quickly – e.g., hot-tubs. Please read the following instructions carefully and thoroughly. **Failure to comply with these requirements could cause serious injury and may result in product damage or failure.**



IMPORTANT!

1. Safety Warnings

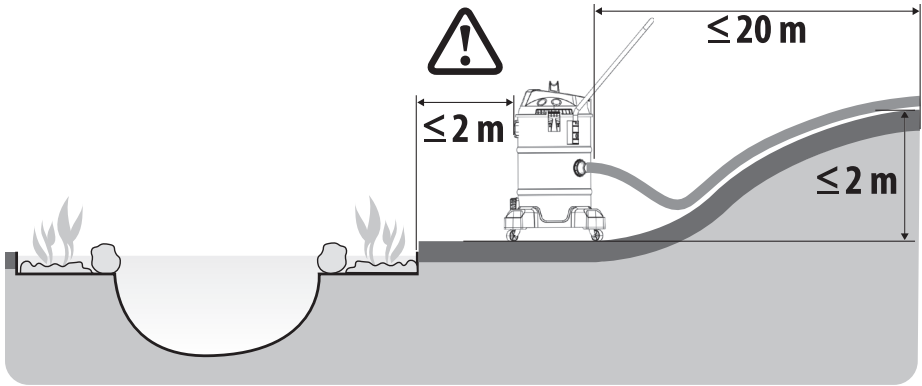
- The power supply must correspond to the product specification. If necessary, ask for information from your local electricity supplier regarding connection regulations. Do not connect the device if these do not meet the mentioned regulations (the voltage specification must match the operating voltage).
- The device must be connected to a 30mA RCD (Residual Current Device) for prevent the possibility of electric shock and to comply with Europe safety standards. Further information is available from your local electricity specialist.
- The device must be fully assembled before use.
- Packing parts may be dangerous (e.g. plastic bags). Therefore, store away from children, domestic animals and anyone incapable of understanding the dangers. This device is not a toy.
- When cleaning a pond, the device should be positioned with a clearance of 2 meters from the water's edge.
- Never leave the device unattended.
- Never carry or pull the device by the power cable.
- Do not pull the device behind you by the hose during operation.
- Do not cut off the plug and do not shorten the cable. Your guarantee becomes invalid if this is not observed.
- When using outdoors, ensure that the plug and socket are completely dry.
- Never touch the plug with wet hands.
- When the device is switched on, do not hold the suction nozzle close to sensitive body parts like eyes, ears or mouth.
- Before emptying the vessel, switch off the device and remove the plug from the RCD.
- Always switch off the vacuum cleaner and pull out the plug before cleaning the device. Do not immerse the motor head (3) into water for cleaning purposes or clean with a water jet.
- This device is suitable for sucking water with a maximum temperature of 35 °C.
- Replacement of the electric cable is not possible. The device must not be operated in the case of a defective electric cable or housing.
- Do not suck up flammable, explosive, poisonous or health hazardous materials with the device. We take no responsibility for any damage to persons and objects, caused by incorrect use of the device or by not observing these operating instructions.

2. Prior to 1st Time Use

- Please read the operating instruction thoroughly.
- Remove all the accessories and packages from the box and inside the main body collection tank (7).
- Check before and after use that the switch(2) is in OFF (0) position.
- Always use the device with the correct filter insert suitable for the relevant application, i.e. filter sponge (14) for wet usage.
- Insert the push bar (27) into the push bar mounts (28) of the tank as shown in Fig.3.
- Fix the handle (1) by two screws supplied.(Fig. 5)
- Fit the wheels (16) on wheel base(15) in accordance with Fig. 6.

3. Motor switch operating mode

Switch position 0	Motor off
Switch position I	Motor on



4. Pond Cleaning

Please proceed as follows when using the device for pond cleaning:

- Position the device at a safety clearance of 2 meters away from the water's edge.
- Open the two locking clips (6) on the side of the collection tank (7) and remove the motor head (3). Fit the filter sponge (14) over the filter cage (4). Attach the dark blue porous bag (18) to the hose inlet inside vacuum chamber (Fig. 4). Place the motor head back onto the collection tank, make sure that the locking clips (6) lock into place correctly, with the electrical cable positioned on the opposite side to the suction hose plug-in connector hole (8).
- Push the plug-in connector on the suction hose (9) into the connection hole (8) on the top of the collection tank and lock the connection by a half turn to the right.(Fig. 8)
- Connect the required number of suction tube extensions (11) to the suction hose (9) and attach the suction nozzle (12 or 13 or 19) to the end of the suction tube extensions (11).
- Plug in the plug connected to the discharge pump to the (20) located in the motor-head/lid of the product.(Fig. 11)
- Screw the 32/38mm connector (17) securely onto the water discharge hole on the back middle of the collection tank (7), Then put the discharge hose (10) securely the 32/38mm connector, Use the clamp (26) fix the hose with connector securely (Fig. 12). Ensure the 2pcs O-ring(29) are fixed correctly on the connector(17).
- Once the above has been completed, plug the device into the RCD. Place the lance into the part of the pond/water first, then to start the motor, push the on/off switch to position I 'ON' to make cleaning.
- The motor and internal pump switch on and you can begin sucking up dirty water.
- The device will operate on until switched to the OFF position (0). Always remove the plug from the RCD when the device is not in use.
- Dirt and water should be thoroughly removed from the collection tank (7) at the end of each use.

IMPORTANT!

Before switching on, attach the dark blue porous bag to the hose inlet inside vac tank, fit the foam filter over the filter cage, connect the pump plug with vac socket. Do not turn power on until inlet hose is submerged in water. Connect hose, tube and suction nozzle together, immerse suction nozzle into water, then switch on the vac. During operation, if suction rate drops then switch power off then turn it on again after 10 seconds.

Remark

Please connect pump plug with socket (20) before pond cleaning. If not, the floating safety switch (5) closes when the maximum tank level is reached. In doing so, the suction noise of the equipment will change and become louder.

5. Blowing

Disconnect pump plug from socket (20) first, then connect the suction hose (9) to the blow connector (24).

6. Water drain screw (Fig. 1/23)

The tank (7) is fitted with a water drain screw (23) for easier emptying after pond cleaning. Open the water drain screw (23) by turning it anticlockwise and drain the liquid.

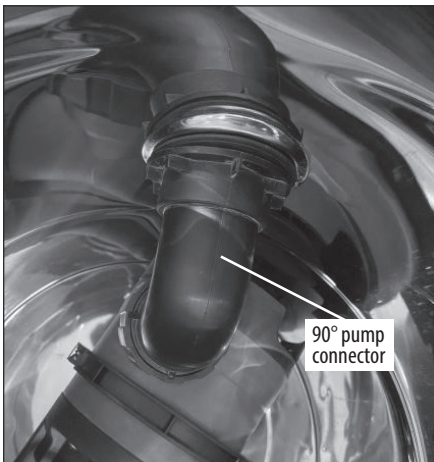
7. Maintenance and cleaning



IMPORTANT!

Always ensure that the device is unplugged from the RCD before attempting any maintenance or cleaning.

- The vacuum cleaner requires little maintenance other than cleaning.
- Thoroughly clean the collection tank (7) and dirt collecting bag (18) with water and mild household detergent.
- Check suction hose (9), suction tube extensions (11) and drain hose (10) occasionally for possible blocking or dirt residues and clean when necessary.
- Carefully wash the filter sponge for the motor (14) with water and mild household detergent. Dry for storage.
- When storing, ensure all parts are completely dry and store in a dry, frost free area which is inaccessible to children.
- Clean the check valve:
 1. Remove the pump discharge connector (22) by anti-clockwise direction.
 2. Remove the 90° pump connector by anti-clockwise direction.
 3. Find the check valve to see if there is waste or mud inside, if so, clean it.



8. GUARANTEE

The product is guaranteed for 1 year from the date of purchase on materials and manufacturing defects. Every effort has been made during the manufacturing process to ensure the vacuum cleaner meets the rigid quality standards. However, should you need to make a claim under this Guarantee, please return the product to the place of purchase with the original receipt as proof of purchase. Claims brought about by incorrect installation or operation, inadequate maintenance, the effects of frost, inexpert attempts at repair, the use of force, wrongful acts by a third-party, overloading and foreign objects, as well as all damage to parts resulting from wear and tear, are not covered by this guarantee. By virtue of the Product Liability Act, we are not liable for damage caused by our equipment, if this is the result of an inexpert repair.

9. Correct Disposal of this product

This marking indicates that this product should not be disposed with other household wastes throughout the EU. To prevent possible harm to the environment or human health from uncontrolled waste disposal, recycle it responsibly to promote the sustainable reuse of material resources. To return your used device, please use the return and collection systems or contact the retailer where the product was purchased. They can take this product for environmental safe recycling.

